

CW-7A

POWERFULL MOBILITY



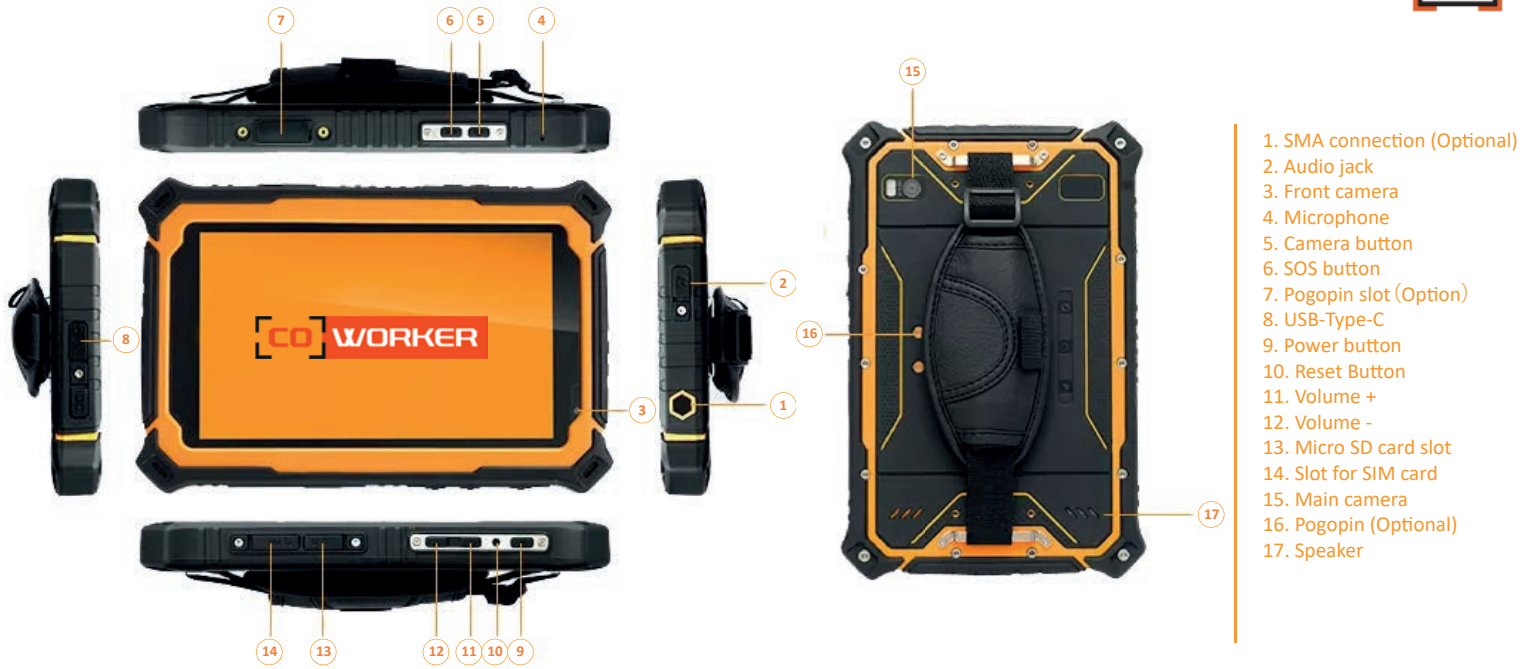
Video

SERVICES IN FRANCE

NO COMPROMISE - YOU CAN HAVE IT ALL ATEX CERTIFIED, YET COMPACT AND POWERFUL

- Processor HELIO P60 Octo Core 2.00GHz
- Android 10
- MIL STD 810G standard tested, drop resistance 1.2m
- IP67
- Sunlight readable, 1000 nits
- Operating temperature: -20°C +55°C
- Standard battery 10000mAh
- Rear handle
- 4G LTE multi-carrier with GPS
- NFC reader (optional)





PRODUCT SPECIFICATIONS

SOFTWARE	Android 10
DURABILITY	MIL-STD-810G (multiple drops 1.2 m) 26 times on each corner and each side with the same shelf in operation IP67 Screen protection
CPU	HELIO P60 Octo Core 2.00GHz
RAM	8GB
STORAGE	128GB
DISPLAY	7" HD 720*1280 HD industrial 1000 nits Sunlight readable
AUDIO	1 microphone 1 built-in speaker
SCREEN	Capacitive 5-point multi-touch screen and stylus, glove and rain mode
INTERFACES	USB Type-C 24 pin OTG support Audio Jack SIM card slot 1.8/3.3V Micro SD card slot; max 128GB
CAMERAS	5MP front camera 13MP rear camera, flash LED flash

WIRELESS	4G LTE module GSM function GPS / Glonass / Beidou / AGPS Dual-band WIFI (2.4GHz/5GHz) single stream 802.11 a/b/g/n/ac Bluetooth® 4.2 Low Energy (LE)
POWER SUPPLY	Batterie : 10000mAh AC power: 5V, 2A-10W
SECURITY	NFC reader (optional)
SENSORS	MEMS sensors on 9 axes (accelerometer, compass, gyroscope) Ambient light sensor Proximity sensor
DIMENSIONS	202 x 138 x 22 mm
WEIGHT	700 g
ACCESSORIES	Rear handle Mobile docking station Additional charger
TEMPERATURE	Operating temperature -20°C to 55°C Storage temperature -40°C to 80°C

