

CW-7EX

POWERFULL MOBILITY



Video

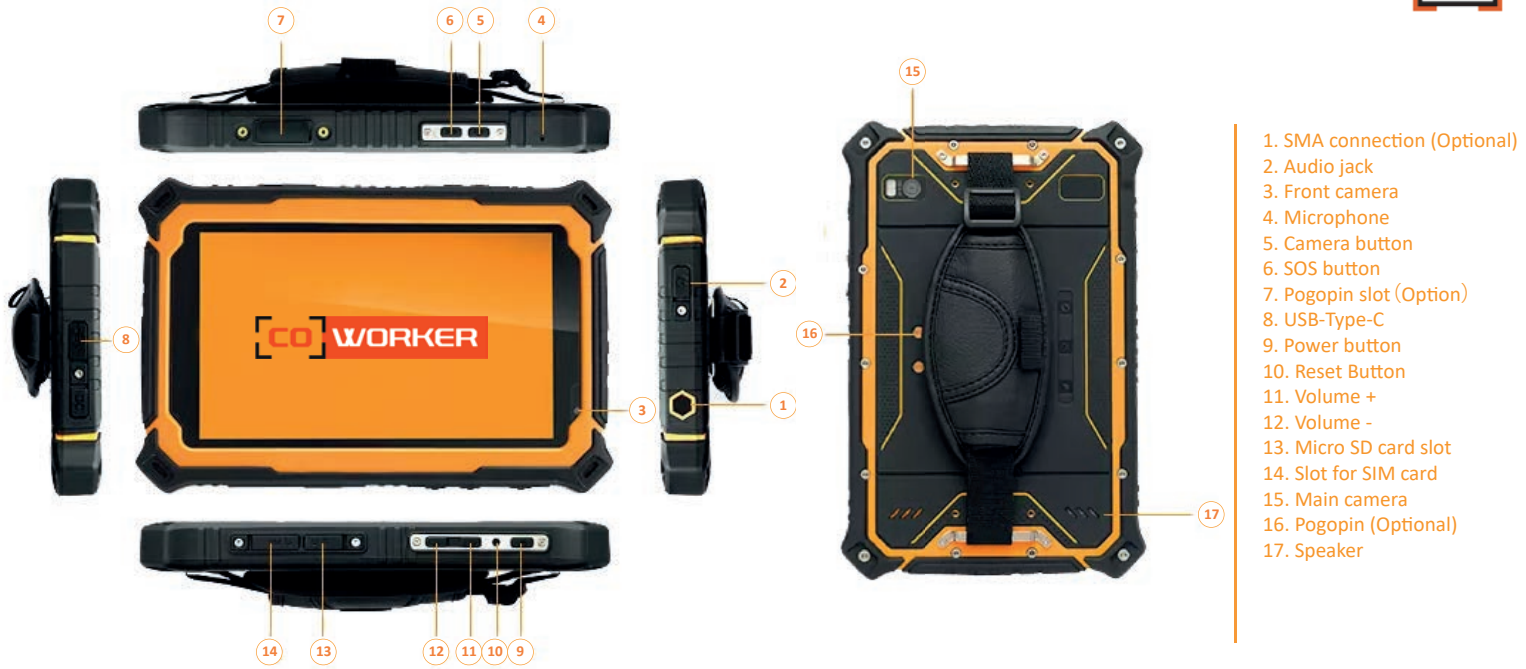
SERVICES IN FRANCE

NO COMPROMISE - YOU CAN HAVE IT ALL ATEX CERTIFIED, YET COMPACT AND POWERFUL

ATEX certification : Exib II 2G Ex ib IIB T4 Gb

- Processor HELIO P60 Octo Core 2.00GHz
- Android 10
- MIL STD 810G standard tested, drop resistance 1.2m
- IP67
- Sunlight readable, 1000 nits
- Operating temperature: -20°C +55°C
- Standard battery 10000mAh
- Rear handle
- 4G LTE multi-carrier with GPS





1. SMA connection (Optional)
2. Audio jack
3. Front camera
4. Microphone
5. Camera button
6. SOS button
7. Pogopin slot (Option)
8. USB-Type-C
9. Power button
10. Reset Button
11. Volume +
12. Volume -
13. Micro SD card slot
14. Slot for SIM card
15. Main camera
16. Pogopin (Optional)
17. Speaker

PRODUCT SPECIFICATIONS

SOFTWARE	Android 10	WIRELESS	4G LTE module GSM function GPS / Glonass / Beidou / AGPS Dual-band WIFI (2.4GHz/5GHz) single stream 802.11 a/b/g/n/ac Bluetooth® 4.2 Low Energy (LE)
DURABILITY	ATEX certified: Exib II 2G Ex ib IIB T4 Gb MIL-STD-810G (multiple drops 1.2 m) 26 times on each corner and each side with the same shelf in operation IP67 RATING Screen protection	POWER SUPPLY	Batterie : 10000mAh AC power: 5V, 2A-10W
CPU	HELIO P60 Octo Core 2.00GHz	SENSORS	MEMS sensors on 9 axes (accelerometer, compass, gyroscope) Ambient light sensor Proximity sensor
RAM	8GB	DIMENSIONS	202 x 138 x 22 mm
STORAGE	128GB	WEIGHT	700 g
DISPLAY	7" HD 720*1280 HD industrial 1000 nits Sunlight readable	ACCESSORIES	Rear handle Mobile docking station Additional charger
AUDIO	1 microphone 1 built-in speaker	TEMPERATURE	Operating temperature -20°C to 55°C Storage temperature -40°C to 80°C
SCREEN	Capacitive 5-point multi-touch screen and stylus, glove and rain mode		
INTERFACES	USB Type-C 24 pin OTG support Audio Jack SIM card slot 1.8/3.3V Micro SD card slot; max 128GB		
CAMERAS	5MP front camera 13MP rear camera, flash LED flash		